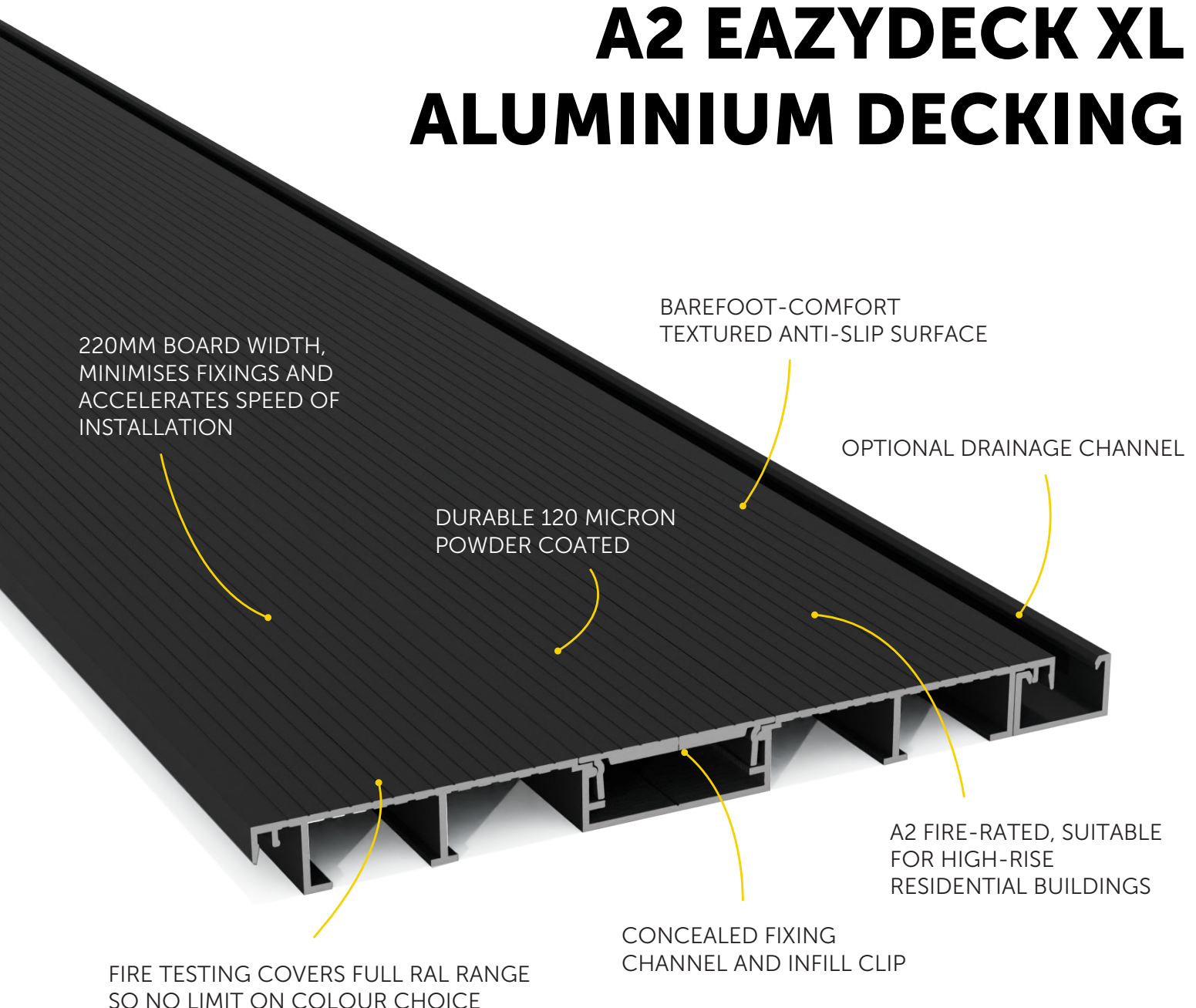


A2 EAZYDECK XL ALUMINIUM DECKING



220MM BOARD WIDTH,
MINIMISES FIXINGS AND
ACCELERATES SPEED OF
INSTALLATION

BAREFOOT-COMFORT
TEXTURED ANTI-SLIP SURFACE

OPTIONAL DRAINAGE CHANNEL

DURABLE 120 MICRON
POWDER COATED

A2 FIRE-RATED, SUITABLE
FOR HIGH-RISE
RESIDENTIAL BUILDINGS

FIRE TESTING COVERS FULL RAL RANGE
SO NO LIMIT ON COLOUR CHOICE

CONCEALED FIXING
CHANNEL AND INFILL CLIP

STYLISH | DURABLE | FIRE-RATED | ANTI-SLIP

The EazyDeck XL Board with its A2fl-s1 reaction-to-fire classification is the perfect decking for any project, including balconies on high-rise residential buildings.

Available in any RAL colour to suit a range of aesthetics and powder-coated to 120 microns for an improved, friction-tested textured surface, EazyDeck XL is stylish, hard-wearing, fire-safe, and anti-slip in both wet and dry conditions.

With an impressive board profile measuring 220mm wide by 20mm high, this is a quick-to-install, high performing aluminium decking that achieves spans of up to 650mm between fixing points (based on standard 2kN point load).

Drainage is controlled through optional channels fitted between the boards. Aluminium joists and steel joist cradle pedestals complete the range of accessories.

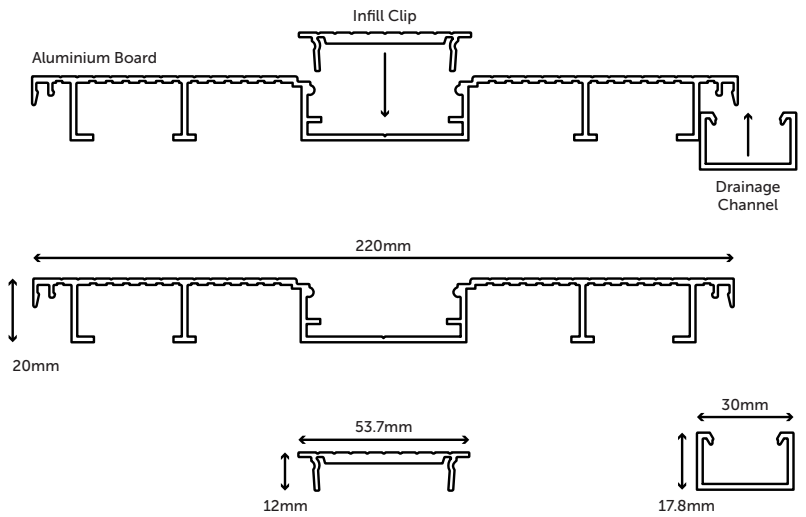
A2 EazyDeck XL

3600mm Length

Article	Colour
2202036-BL	Black RAL 9005
2202036-AG	Anthracite RAL 7016
2202036-SB	Sand RAL 1019

6000mm Length

Article	Colour
2202060-BL	Black RAL 9005
2202060-AG	Anthracite RAL 7016
2202060-SB	Sand RAL 1019



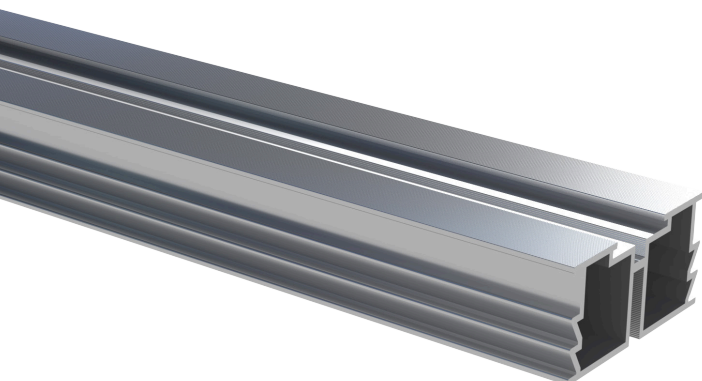
Technical Specifications

Characteristics	Units
Fire-Rated	A2fl-s1 to EN13501 (All RAL Colours)
Material	6063 T6 Aluminium
Standard Colours	Black (RAL 9005); Sand (RAL 1019); Anthracite Grey (RAL 7016)
Finish	Durable Textured 120µm
Warranty	PPC 10 Years
Service Life	30 Years
Slip Resistance (Pendulum Test Value)	Low Risk (70 Dry, 40 Wet)
2kN Point Load at <5mm Deflection	Spans up to 650mm
2kN UDL at <5mm Deflection	Spans up to 1100mm

Dimensions

Product	Width x Height	Available Lengths
Individual Board	220 x 20mm	3.6m, 6m & Bespoke
Infill Clip	53.7 x 12mm	3.6m, 6m & Bespoke
Optional Connecting Drainage Channel	30 x 17.8mm	6m & Bespoke

Substructure Components



Aluminium Joists

Support Joist to provide optimum strength and stability to the deck.



Steel Joist Cradle Pedestals

Steel Pedestal that accepts the aluminium joists and accommodates height adjustments.