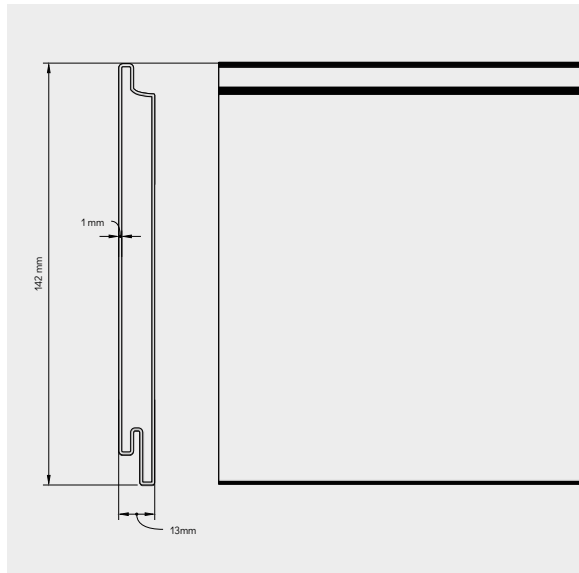


Forma panel cladding is a long lasting, low maintenance alternative to timber that can be used on various exterior projects; from home renovations to new build apartments, sunrooms or contemporary garden rooms. This stunning material from the capped Forma® range looks as impressive as natural wood cladding with no need to paint, stain or oil. Forma cladding products come with a 25 year warranty. This cladding can be installed in both vertical and horizontal orientations.



### Panel Cladding

Length (mm)	3600
Width (mm)	142 (132 installed width)
Depth (mm)	13
Weight (p/lm)	7kg
Material	2nd Generation co-extruded WPC
Finish	Brushed finish



Midnight

Argent

Flint

Silver Birch

Natural Oak

Spiced Oak

Havana



Length

3.6m

ECO3600MD

ECO3600AG

ECO3600FL

ECO3600SB

ECO3600NO

ECO3600SO

ECO3600HA

## Forma Decking Benefits

Ecoscape UK Forma composite products have all the benefits of Clarity, with the additional benefits afforded by the HDPE capping. This results in a composite product that is more hardwearing, stain-resistant, and resistant to colour fading. We are so confident in the quality of our board that we offer an industry-leading 25 year warranty.

### Sustainable Choice

Ecoscape UK Wood Plastic Composite products are made from recycled plastic and wood fibre. Choosing Ecoscape UK ensures this waste material is diverted from landfill, and given a second life.

### Great Composite Benefits

Not only easy to install, with our hidden clip system, Ecoscape UK composite cladding is practical: with low maintenance, and with our 25 year warranty, will be sure to look good for years to come.

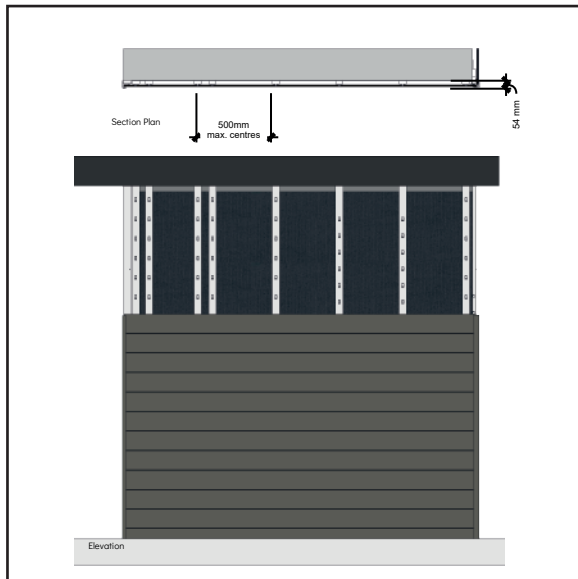
### UV Stable with Colour Fade Warranty

Like all our Forma products, Ecoscape UK Panel Cladding is fade resistant. Although not entirely fade proof, our cladding has been extensively tested - including artificial weathering test - and we offer a warranty against any fading due to light exposure and weathering in excess of 'ΔE=5' on the Hunter scale.

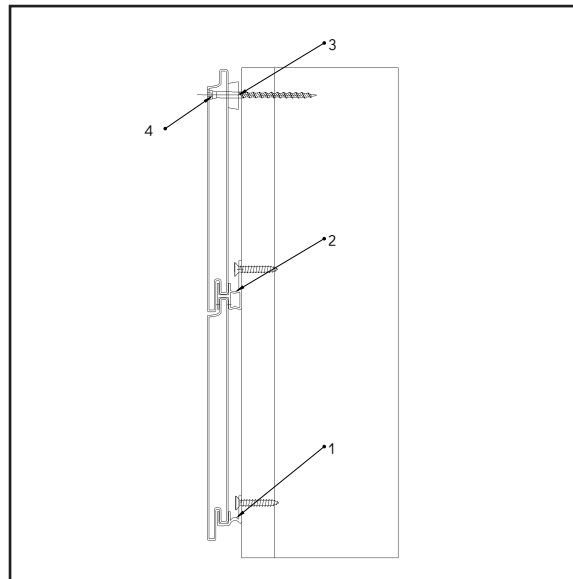
The example above shows the 'Havana' colour Forma product before, and after accelerated testing.

## Working Specification - Decking Systems

Drawings below show a typical substructure detail for Ecoscape UK Composite decking (shown here with Ecoscape UK Plastic Joist Substructure).

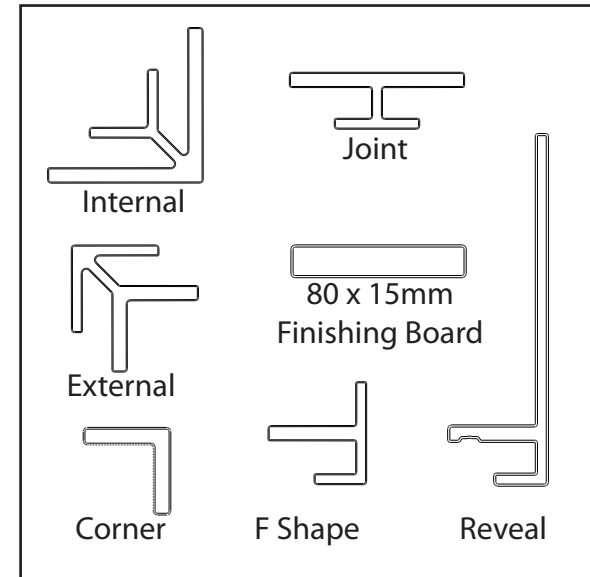


Ecoscape UK Composite cladding boards must be supported by a substructure placed at 500mm centres.



Ecoscape UK cladding should always be used with Ecoscape UK aluminium hidden clips system:

1. Starter Bar
2. Cladding Clip
3. Plastic Pad
4. Colour-coded screw



Our extensive range of trim profiles - including an end trim, external and internal corners, and a versatile finishing board - to ensure that you always get a neat finish for your project.

## Specification Table

Property	Test Method	Test Result	Test Requirements	Verdict
Appearance	EN 15534-1:2014 Section 6.1 EN 15534-4:2014 Section 4.3	None of visible difference which was compared to control sample.		Pass
Linear Mass	EN 15534-1:2014 Section 6.5 EN 15534-4:2014 Section 4.4	Mean: 1951 g/m	Individual values ≥ 95% declared value by the manufacturer.	N/A
Dimensions	EN 15534-1:2014 Section 6.6 EN 15534-4:2014 Section 4.4	Average Width: 141.30mm Average thickness: 13.20 mm Average Length: 1000mm Average deviation from straightness: 0.33mm Average cupping: 0.22mm	Individual values	N/A
Falling mass impact resistance	EN 15534-1:2014 Annex A EN 15534-4:2014 Section 4.5.1	Max. Crack length (mm): No crack Max. Residual Indentation (mm): 0.09	None of 10 test specimens shall show a failure with a crack length ≥ 10 mm or a depth of residual indentation ≥ 0.5 mm.	Pass
Flexural properties	EN 15534-1:2014 Annex A EN 15534-4:2014 Section 4.5.2  Specified span: 300mm Testing Speed: 18.5mm	Ave. Bending Strength: 31.9 MPa Modulus of Elasticity in bending: 3993 MPa  Deflection at 250 N: Mean: 1.93 mm Max: 2.02 mm	-Deflection under a load of 250 N Mean ≤ 5.0 mm	Pass
Creep behaviour	EN 15534-1:2014 Section 7.4.1 EN 15534-4:2014 Section 4.5.3	Span: 400 mm Mean ΔS: 2.97 mm Max. ΔS: 3.03 mm Mean ΔSr: 1.81 mm	Known span in use Mean ΔS ≤ 10 mm Max. ΔS ≤ 13 mm Mean ΔSr ≤ 5 mm	Pass
Resistance to artificial weathering	EN 15534-1:2014 Section 8.1 EN 15534-4:2014 Section 4.5.5 ISO 4892-2: 2013, cycle 1	After 2000h exposure: ΔL* = -1.45, Δa* = 0.38, Δb* = 0.57 ΔE* = 1.60  Grey scale = 4	ΔL*, Δa* and Δb* shall be declared	N/A
Swelling and water absorption (28 days immersion)	EN 15534-1:2014 Section 8.3.1 EN 15534-4:2014 Section 4.5.5	Mean Swelling: 0.41% in thickness ; 0.36% in width; 0.23% length Max. Swelling: 0.60% in thickness; 0.43% in width; 0.29% in length Water Absorption Mean: 2.71% Max.: 2.91%	Mean Swelling: ≤4% in thickness ; ≤0.8% in width; ≤0.4% length Max. Swelling: ≤5% in thickness; ≤1.2% in width; ≤0.4% in length Water Absorption Mean: ≤7% Max.: ≤9%	Pass

Fungi Resistance Test	ISO 16869: 2008	Rating 1: The material is partially protected against fungal attack or generally not susceptible to such attack	Test conditions: 21 days, Humidity>85%RH, Temperature: 25°C	
-----------------------	-----------------	---	---	--

Property	Test Method	Test Result	Test Requirements	Verdict
Moisture resistance under cyclic test conditions	EN 15534-1:2014 Section 8.3.2 EN 15534-4:2014 Section 4.5.5	Original MOR: 31.9 MPa After exposure, Mean MOR: 29.6MPa Deflection at 250N: Mean: 1.96 mm Max: 2.02 mm	Deflection under load at 250N Mean ≤ 6.0mm (Test span was at 500mm)	Pass
Boiling Test	EN 15534-1:2014 Section 8.3.3 EN 15534-4:2014 Section 4.5.5	Water absorption in weight: Mean: 1.57 % Max: 1.77 %	Water Absorption in weight: Mean ≤ 7 % Max. ≤ 9 %	Pass
Linear thermal expansion coefficient	EN 15534-1:2014 Section 9.2 EN 15534-4:2014 Section 4.5.6 ISO 11359-2:1999	Mean: Longitudinal direction: 46.0 ×10-6 K-1	≤ 50×10-6 K-1	N/A
Heat Reversion	EN 15534-1:2014 Section 9.3 EN 15534-4:2014 Section 4.5.7 EN 479:2018	Test Temperature: 100°C  Mean: 0.07 %		
Heat build-up	EN 15534-1:2014 Section 9.4 EN 15534-4:2014 Section 4.5.7	Set temperature rise for use in horizontal position: 41 °C Actual temperature rise for black control specimen: 41.7 °C	Test condition: ambient air temperature 23 ± 2 °C	
Resistance to indentation	EN 15534-1:2014 Section 7.5 EN 15534-4:2014 Section 4.5.7	Brinell hardness: 69 MPa Rate of elastic recovery: 53 %	Indenter: a hardened steel spherical body with diameter of 10 mm Test load: Additional load of 200N with preload of 20N Indentation time: (25 ± 5) s Recovery time: at least 24h	
Neutral salt spray test	EN 15534-1:2014 Section 8.6 ISO 9227:2017 EN 15534-4:2014 Section 4.5.7	After 300h exposure: ΔL* = -0.94, Δa* = 0.70, Δb* = 0.19 ΔE* = 1.2  Grey scale = 4-5	300 hours exposure time	
Fire Resistance		Standard Option		For more information, please contact Ecoscape specifications team
	EN 13501-1:2018	Classification: D-s1, d0		
Screw withdrawal	EN 15534-1:2014 Section 7.6 EN 13446:2002 EN 15534-5:2014 Section 4.5.6	Withdrawal capacity: 27.5 N/mm <sup>2</sup>		
Pull through resistance	EN 15534-1:2014 Section 7.7 EN 1383:2016 EN 15534-5:2014 Section 4.5.6	Pull through parameter: 16.6 N/mm <sup>2</sup>  Test screw of 7.5mm diameter head was used		