

SECURITY, QUALITY & DESIGN

The IGEM 2 is part of the original and exclusive electromagnet locking range for the professionals of the security market. Security, quality and design are requirements which make the IGEM electromagnets exceptionally resilient and reliable while offering the only electromagnets intrinsically without magnetic remanence.

IGEM electromagnets also benefit from certified corrosion-proof treatment.

AN ESSENTIAL REFERENCE IN THE DOOR MANUFACTURING MARKET

For over 35 years, the embedded IGEM electromagnets have witnessed an ever-growing success with big names in the door industry. From manufacturers of aluminum profiles to technical doors made of wood or metal, our electromagnets adapt to the terrain's demands. Try embedded IGEM electromagnets and you'll be hooked for life!



TECHNICAL DATA

- Mounting: Mortise
- Power: 12/24V DC
- Current: 500/250 mA
- Locking monitoring (LSS): Reed
- Built-in MOV surge protection
- ²Environmental protection/IP Rating: IP43 (Mortise)
- Sizes (L x H x W): 188 x 39 x 27 mm
- Weight: ~2 kg
- Environmental/Temperature: -40°C to +60°C

² Electrical connections shall be protected according to the installation environment.

¹MAIN FEATURES

- Security/Holding Force: Grade 3+ ($\leq 3\ 000\text{N}$) Tol. 15%
- Category of use: Grade 3 (High frequency - Public Use)
- Durability/reliability: Grade 9 ($> 1\ 000\ 000$ cycles)
- Corrosion resistance/humidity/IP protection: Grade 3 (EN 1670, EN ISO 9227)

¹ See chapter 7 Norm EN 13637

STANDARDISED LABEL

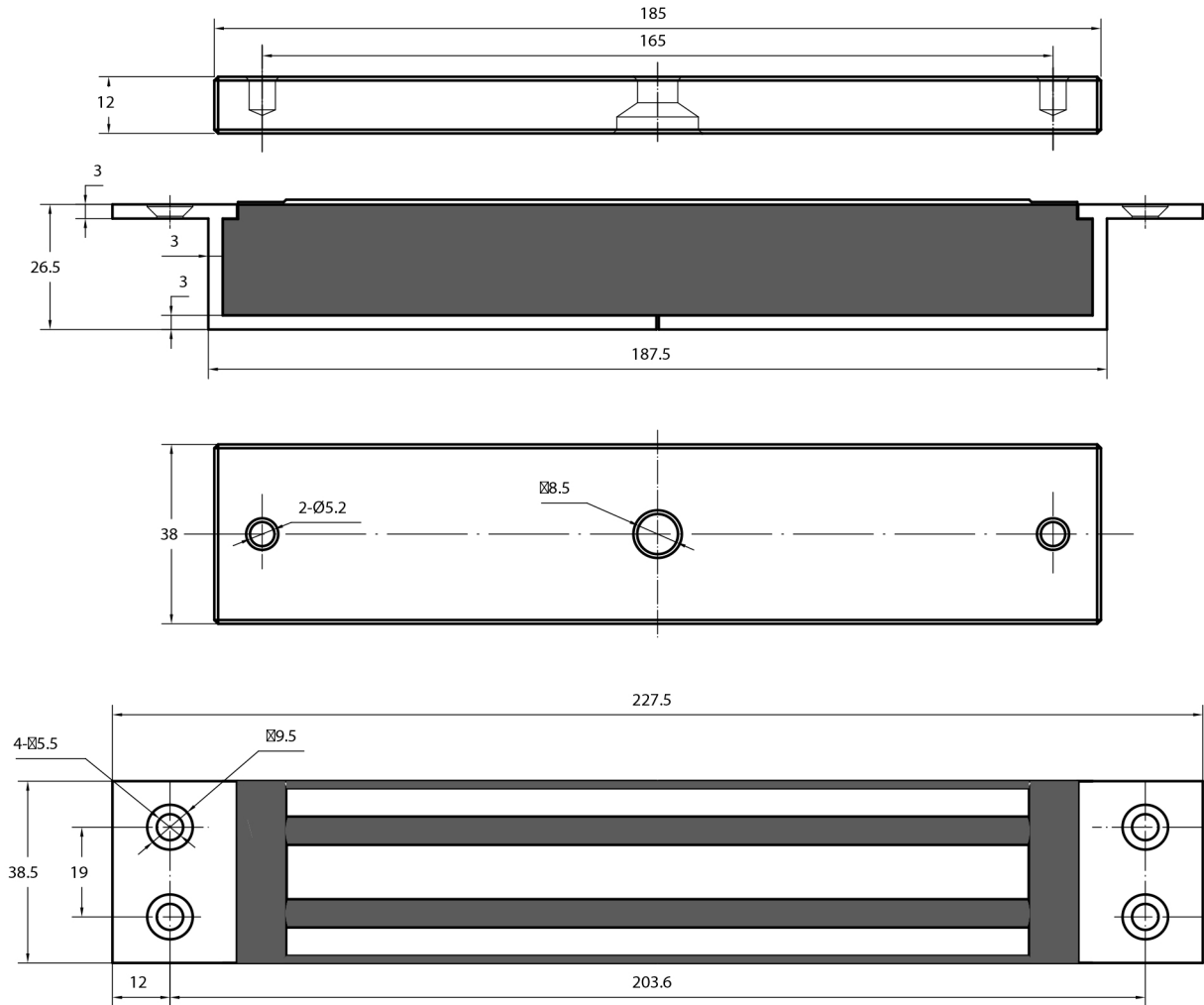
Our main IGEM products features are displayed on the products with a certified sticker responding to the EN 13637, chap 7 norm.

3	9	9		1	2	3+	3+	0	0	D
---	---	---	--	---	---	----	----	---	---	---

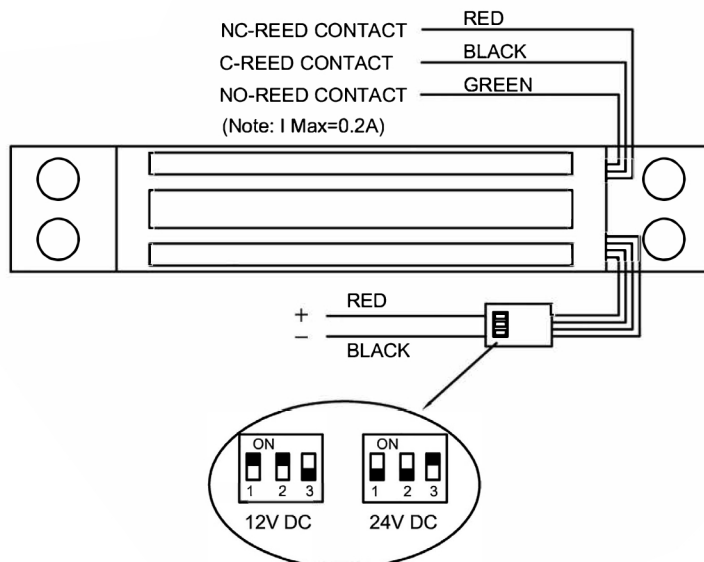
Ref: EN 13637: + Corrosion EN ISO 9227: Grade 3

TECHNICAL DESIGNS:

1. DIMENSIONS



2. WIRING



All product specifications are subject to change without notice.